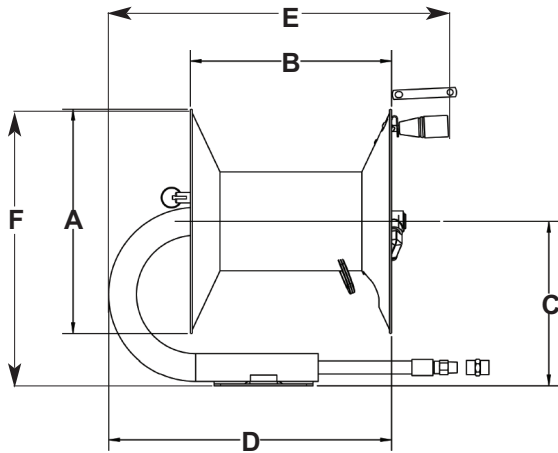
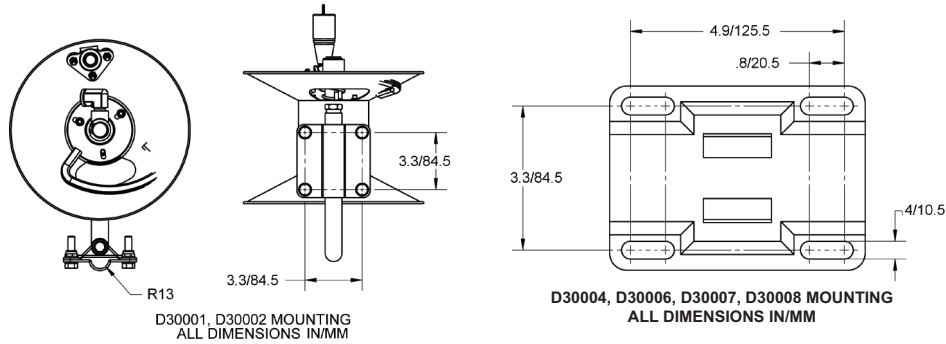


ASSEMBLY AND OPERATING INSTRUCTIONS

1. Connect the handle to the flange. Nuts go on handle side of flange.
2. Use (4) 3/8" or 10 mm bolts when securing the hose reel to ceiling or wall.
3. Use the provided nuts, bolts and mounting bracket when securing hose reel to a cart.
4. Use thread sealant (not provided) on inlet threads and on outlet hose (not provided).
5. The hose reel is ready for operation.



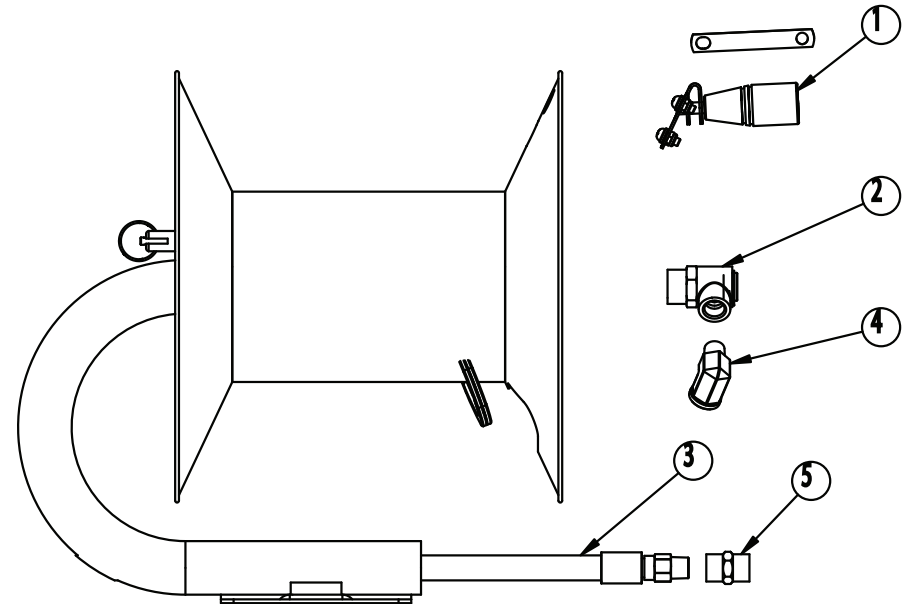
	Dimensions (in/mm)					
	A	B	C	D	E	F
D30001	10.5/267	7.7/195	7.6/192	11.0/281	14.4/365	12.8/326
D30002	10.5/267	12.0/308	7.6/192	15.2/386	18.5/471	12.8/326
D30004	13.4/340	9.8/250	9.7/249	10.8/274	18.0/458	16.5/419
D30006	13.4/340	12.2/310.6	9.8/248	16.2/410.6	19.4/493.5	16.5/418

Ref 300638 Rev. G
09-16

SPECIFICATIONS

Model	3/8" Capacity	Pressure	Inlet	Outlet
D30001	50'	4000 PSI	3/8 NPT-F	3/8 NPT-F
D30002	100'			
D30004	150'		3/8 NPT-M	
D30006	200'			

MAXIMUM TEMPERATURE RATING: 185°F



PARTS LIST

	Item				
	1	2	3	4	5
D30001	100055	2103241	N/A	D10116	N/A
D30002		2103240	D30003		D10065
D30004					
D30006					
2100278	Repair kit for 2103241 and 2103240				

Ref 300638 Rev. G
09-16